

# Magnetic End Effector

85kg pneumatic

**An end effector that, when integrated in Quick-Lift System™, meets the highest standards of ergonomics, working environment, safety and efficiency.**

Unique integrated mechanical, electrical, pneumatic swivel enables continuous rotation of the end effector.

Easy to use, thanks to outstanding responsiveness, regardless of load weight.

Exceptional safety is achieved using our intelligent control systems.

High cost efficiency through high reliability and long durability.

A strong solution for quick and easy handling.



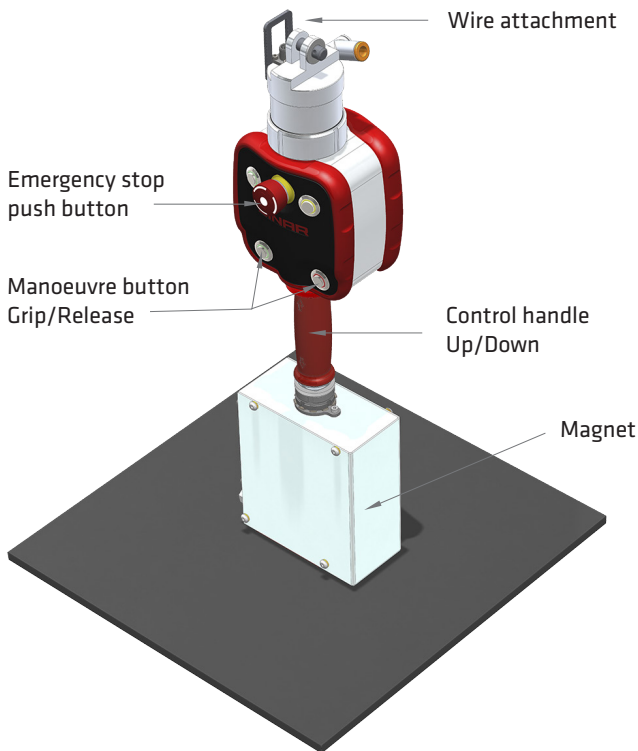
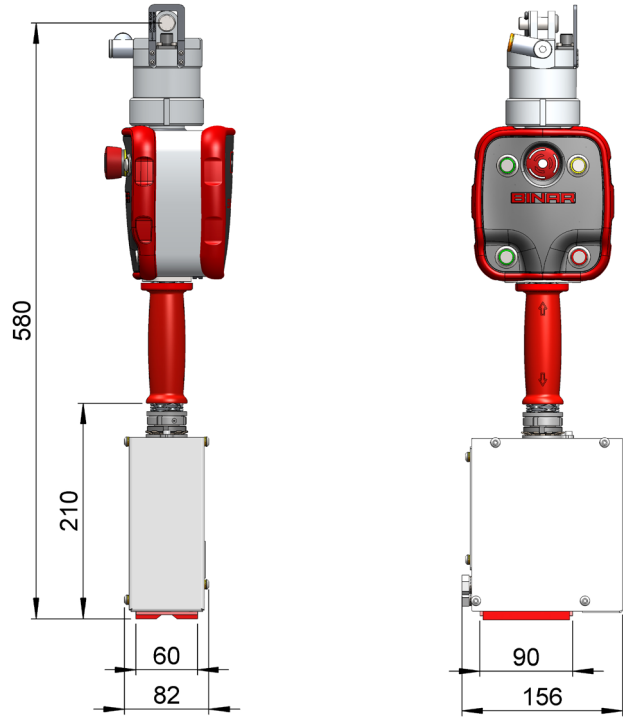
**BINAR**

*Improving your productivity*

# Magnetic End Effector

85 kg pneumatic

The figures are to be seen as indications and will vary depending on lifting objects.



## TECHNICAL DATA MAGNETIC END EFFECTOR 85KG

|                         |   |       |
|-------------------------|---|-------|
| <b>Lifting Capacity</b> | Maximum lifting capacity varies depending on lifting object shape<br><i>Note: The lifting capacity is reduced if the lifting objects center of gravity is eccentric</i> |       |
| <b>Steel plate</b>      | Thickness $\geq 15$ mm  | 85 kg |
|                         | Thickness 10 mm   | 70 kg |
|                         | <i>Note: For steel plates &lt;15 mm magnetism can occur underneath the plate.</i>   |       |
| <b>Round steel</b>      | $\varnothing$ 50-150 mm,<br>Maximum length 1000 mm<br>Maximum weight 45 kg  |       |
| <b>Temperature</b>      | Maximum temperature on lifting object 50° C.  |       |
| <b>Product weight</b>   | 11 kg / 24 lbs  |       |
| <b>Air supply</b>       | Clean dry air, filtered, pressure 6,0-8,0 Bar   |       |
| <b>Safety</b>           | 3x safety has to be tested on each lifting object   |       |

Binar Quick-Lift Systems AB disclaims responsibility for any errors or incomplete information in the published material and reserves the right to make changes.

**Binar Quick-Lift Systems AB**

Box 2014 • SE-461 11 TROLLHÄTTAN • Sweden  
telephone: +46 (0)520 47 40 00 • e-mail: info@binar.se  
www.binarquicklift.com

2018-01-11

**BINAR**  
Improving your productivity