

Quick-Lift Rail

QLR 200i

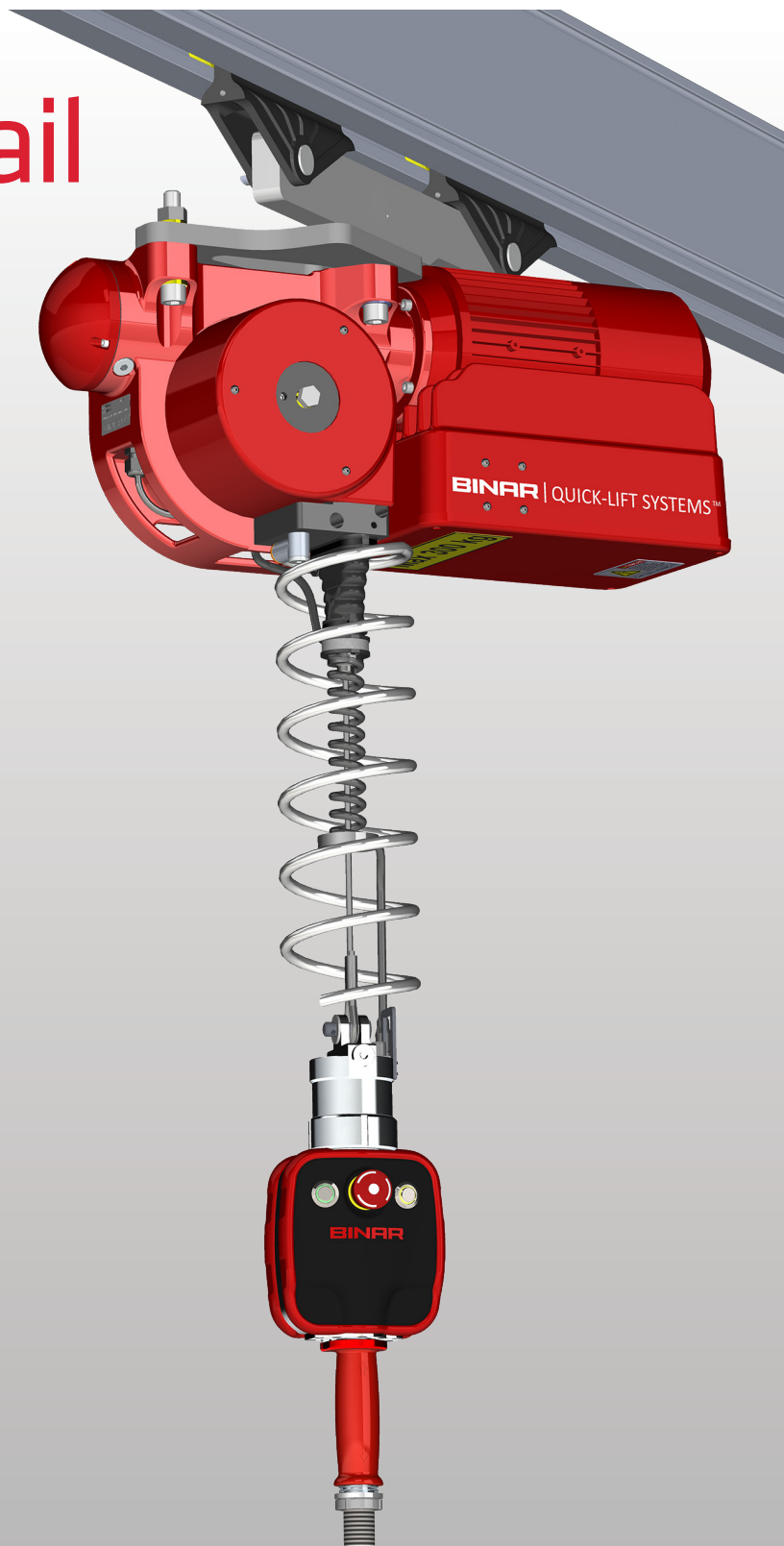
Intelligent lifting device which meets the highest standards of ergonomics, working environment, safety and efficiency.

Unique integrated mechanical, electrical, pneumatic swivel enables continuous rotation of gripper.

Easy to use, thanks to outstanding responsiveness, regardless of load weight.

Exceptional safety is achieved using our intelligent control systems.

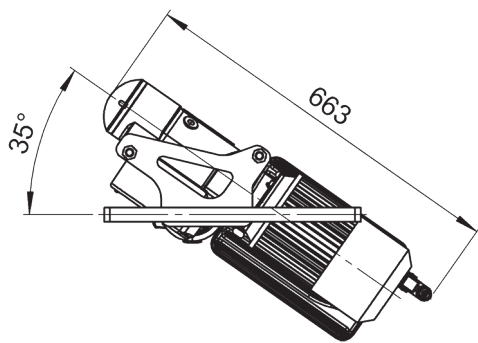
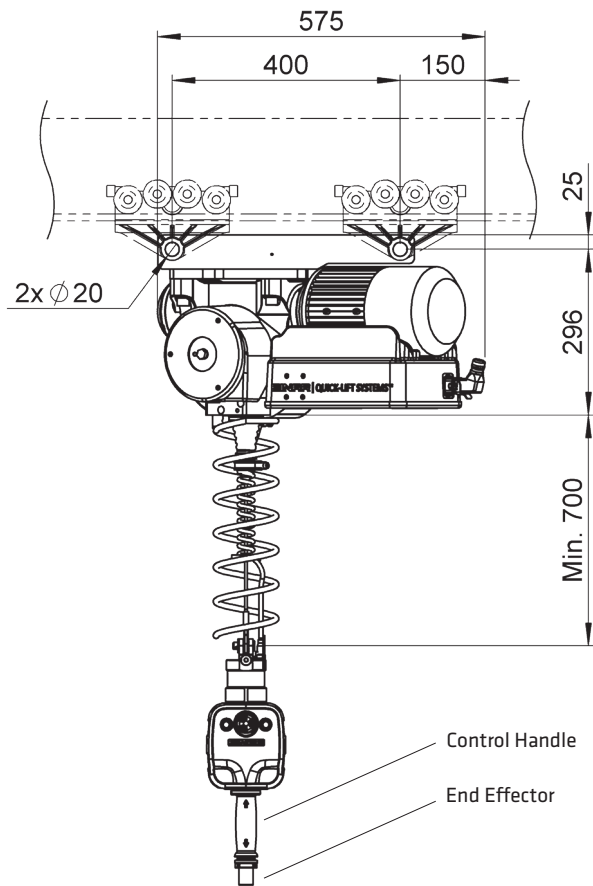
High cost efficiency through low power consumption, high reliability and long durability.



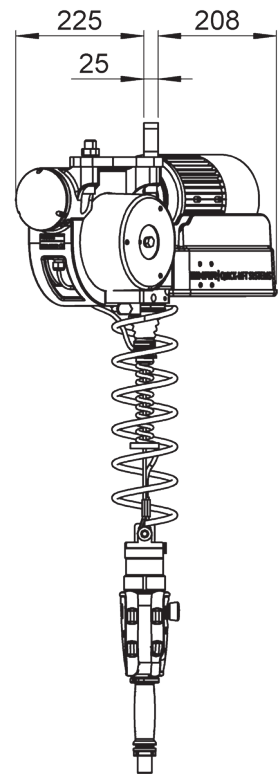
BINAR

Improving your productivity

Quick-Lift Rail



QLR 200i



TECHNICAL DATA QLR 200i

Lifting capacity	Max 200 kg
Stroke length	2,7 meter
Lift motor	Stepless servo-controlled asynchronous motor
Weight	43 kg
Power supply	230V, 50-60 Hz, 1-phase with ground protection, 10A
Suspension	The QLR 200i can be mounted in the most types of rail systems. Existing rail systems can often be used.
Manoeuvring	<p>Manoeuvring is done by using a patented control handle or balancing mode. Both options sense the operator's hand/arm movement and give a very exact and smooth speed control.</p> <p>Only a small force is needed to engage the up/down motion. When the operator let go of the handle, the up/down motion is immediately stopped.</p>
End effector	<p>End effectors are designed to fit customer's need. Intelligent I/O signals are available for optimum functionality.</p>

Binar Quick-Lift Systems AB disclaims responsibility for any errors or incomplete information in the published material and reserves the right to make changes

Binar Quick-Lift Systems AB

Box 2014 • SE-461 11 TROLLHÄTTAN • Sweden
 telephone: +46 (0)520 47 40 00 • e-mail: info@binar.se
 www.binarquicklift.com

2018-01-11

BINAR
 Improving your productivity